

Ratchet Spanners

Housing Steel / Shaft Stainless Steel

SPECIFICATION

Housing

Steel
Powder coated
Black matte, textured finish

Shaft

Stainless steel AISI 303
Matte shot-blasted

Wearing parts

Steel, hardened

Domed gear knobs I.222-N (see page 537)

Plastic, phenolic resin (PF)
Black, shiny finish



INFORMATION

Ratchet spanners GN 316 are robust, easy to handle and have an appropriate and attractive design.

Ratchet spanners are normally used wherever the same ratchet spanner insert is always required or where it makes sense to leave the ratchet spanner at the place of use or attach it to equipment or machinery as a "stationary" tool. Various different versions of ratchet insert are available and these can be exchanged as required by loosening the retaining screw and removing the cover plate.

The ratchet action is deactivated when the reversing lever is in the locked position, allowing torque to be applied in both directions.

ACCESSORY

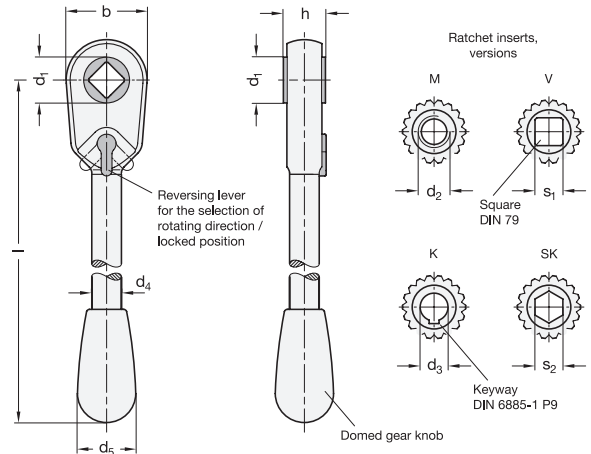
- GN 184 Countersunk Washers (for Axial Fixing) (see page 971)

ON REQUEST

- Other inserts

TECHNICAL INFORMATION

- Keyway P9 DIN 6885-1 (see page A16)
- Squares DIN 79 (see page A16)
- ISO-Fundamental Tolerances (see page A21)
- Stainless Steel Characteristics (see page A26)



GN 316

Description	d ₁ Ø Insert	d ₂ Thread	d ₃ H7 Bore with keyway	s ₁ Square	s ₂ Hex	b	d ₄	d ₅	h	Length l	Max. torque in Nm	⚖
GN 316-12-M8	12	M 8	-	-	-	22	9	20	11	118	40	89
GN 316-17-M10	17	M 10	-	-	-	30	11	26	14	156	70	190
GN 316-17-M12	17	M 12	-	-	-	30	11	26	14	156	70	180
GN 316-22-M14	22	M 14	-	-	-	39.5	14	33	17	187	130	97
GN 316-22-M16	22	M 16	-	-	-	39.5	14	33	17	187	130	380
GN 316-26-M20	26	M 20	-	-	-	46	17	33	22	219	180	602
GN 316-17-K10	17	-	K 10	-	-	30	11	26	14	156	70	194
GN 316-17-K12	17	-	K 12	-	-	30	11	26	14	156	70	187
GN 316-22-K14	22	-	K 14	-	-	39.5	14	33	17	187	130	420
GN 316-22-K16	22	-	K 16	-	-	39.5	14	33	17	187	130	375
GN 316-26-K18	26	-	K 18	-	-	46	17	33	22	219	180	610
GN 316-12-V8	12	-	-	V 8	-	22	9	20	11	118	40	83
GN 316-17-V10	17	-	-	V 10	-	30	11	26	14	156	70	193
GN 316-22-V12	22	-	-	V 12	-	39.5	14	33	17	187	130	369
GN 316-22-V14	22	-	-	V 14	-	39.5	14	33	17	187	130	360
GN 316-26-V17	26	-	-	V 17	-	46	17	33	22	219	180	605
GN 316-17-SK12	17	-	-	-	SK 12	30	11	26	14	156	70	189
GN 316-22-SK14	22	-	-	-	SK 14	39.5	14	33	17	187	130	380
GN 316-26-SK17	26	-	-	-	SK 17	46	17	33	22	219	180	598